



## DP 361 SERIES

### Bellows differential pressure gauges

- ◆ ranges included between 10 and 40 mbar;
- ◆ scale angle 180°;
- ◆ accuracy class 1,6.



made in  
ITALY



PED 2014/68/EU  
ATEX 2014/34/EU



## TECHNICAL FEATURES

- **Nominal sizes**
  - 100 and 150.
- **Execution**
  - A... direct mounting;
  - B... surface mounting with clamp;
  - C... back panel flush mounting;
  - D... 2" pipe mounting;
  - ...D dry;
  - ...F liquid filled;
  - ...P fillable.
- **Casing**
  - case and ring in AISI 304 stainless steel (AISI 316 on request - option V61) with bayonet bezel.
- **Protection degree (according to EN 60529)**
  - IP 55 for execution D;
  - IP 67 for execution F and P.
- **Window**
  - glass for execution D;
  - methacrylate for execution F and P;
  - laminated safety glass (on request – option V17).
- **Casing filling liquid**
  - silicone fluid.
- **Pressure connections (according to EN 837)**

AISI 316L stainless steel:

  - 1/4-18 NPT (1/4 NPT female) - standard;
  - G 1/2 B (1/2 Gas or BSP male) or 1/2-14 NPT EXT (1/2 NPT male) (on request - option V43).
- **Pressure element**
  - AISI 316L st. st. bellows.
- **Static pressure**
  - range 0 ÷ 10 mbar:
    - 100 mbar one side;
    - 10 bar both side.
  - range 0 ÷ 16 mbar:
    - 160 mbar one side;
    - 10 bar both side.
  - range 0 ÷ 25 mbar:
    - 250 mbar one side;
    - 10 bar both side.
- range 0 ÷ 40 mbar:
  - 400 mbar one side;
  - 10 bar both side.
- **Differential cell**
  - material:
    - AISI 316L stainless steel.
  - size:
    - mm 100 x 110.
- **Differential cell gaskets**
  - P.T.F.E..
- **Differential cell bolts and nuts**
  - AISI 304 stainless steel.
- **Movement**
  - stainless steel.
- **Ranges (according to EN 837)**
  - Graduation:
    - 0 ÷ 10; 0 ÷ 16; 0 ÷ 25; 0 ÷ 40;
    - (divisions as per table C1 at page P08)
    - other graduations not normalized.
  - Unit of pressure:
    - mbar, kPa, and psi for single or double range.
  - Scale angle:
    - 180 °.
- **Pointer**
  - aluminium with micrometer adjustment.
- **Dial**
  - white aluminium with black figures (for dial modifications see available options).
- **Accuracy (according to EN 837)**
  - class 1,6 (± 1,6% of full scale deflection).

**note1:** accuracy indicated on the pressure gauge does not consider the interference of an eventually applied electric contact.
- **Ambient temperature**
  - - 20 ÷ + 60 °C.
- **Operating temperature**
  - - 25 ÷ + 65 °C.

## APPLICATIONS

- **Electric contact (see CE series)**



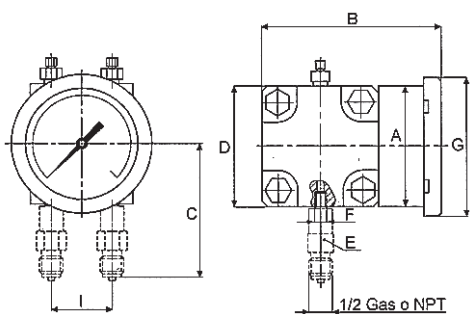
## VARIANTI

- **Maximum pointer**  
to indicate the maximum pressure reached:  
- zero setting on the window (suitable also for liquid filled instruments).  
**(identification V11)**
- **Window**  
- laminated safety glass.  
**(identification V17)**
- **Not standard connections (identification V42)**
- **Male or female threaded pressure connections (according to EN 837)**  
- G 1/2 B (1/2 Gas or BSP);  
- 1/2-14 NPT (1/2 NPT);  
- others (on request - option V42).  
**(identification V43)**
- **Changes to the dial**  
- serial number;  
**(identification V50)**
- specific dial;  
**(identification V51)**
- red mark;  
**(identification V52)**
- writings;  
**(identification V53)**
- TAG number;  
**(identification V54)**
- dial without logo;  
**(identification V56)**
- double logo (Fantinelli + customer);  
**(identification V57)**
- customer's logo.  
**(identification V58)**
- **AISI 316 stainless steel case and ring**  
as alternative to AISI 304 stainless steel.  
**(identification V61)**
- **Metal tag plate**  
AISI 316 stainless steel for tag number.  
**(identification V82)**

## DOCUMENTATION

- **Fantinelli calibration certificate class 1,6**  
rising pressure.  
**(identification V93)**
- **Complementary documents**  
o certificate of compliance with the order EN 10204-2.2.
- o technical documentation including:  
- drawings and technical informations;  
- installation and maintenance instructions.
- o inspection and test certificate EN 10204-3.1.
- o material certificates.
- o PED declaration.
- o ATEX declaration (II 2 G/D)

## TECHNICAL INFORMATIONS

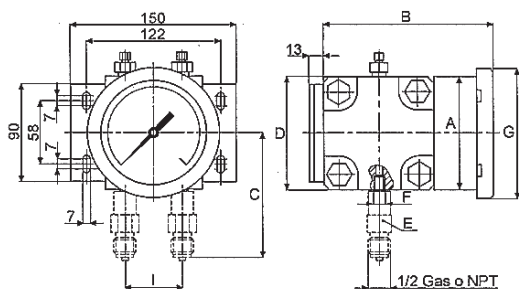


**Table DP 361-A**

Model	DN	A	B	C	D	E	F	G	H	I	L	M	N	Ø fori 120°	PESO ~ kg es. Des. F	
DP 361-A	100	103	150	117	110	22	1/4	118		54					4,8	5,1
	150	150	150	117	110	22	1/4	166		54					5,0	5,7

**Execution A**

Pressure gauge for direct mounting.

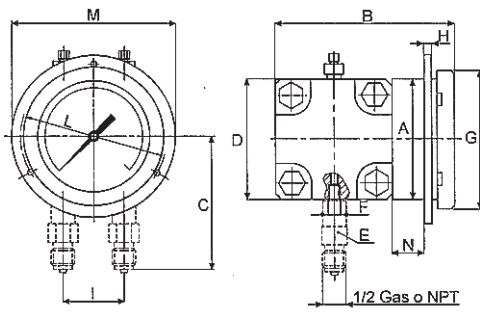


**Table DP 361-B**

Model	DN	A	B	C	D	E	F	G	H	I	L	M	N	Ø fori 120°	PESO ~ kg es. Des. F	
DP 361-B	100	103	150	117	110	22	1/4	118		54					5,1	5,4
	150	150	150	117	110	22	1/4	166		54					5,3	6,0

**Execution B**

Pressure gauge for surface mounting with clamp.

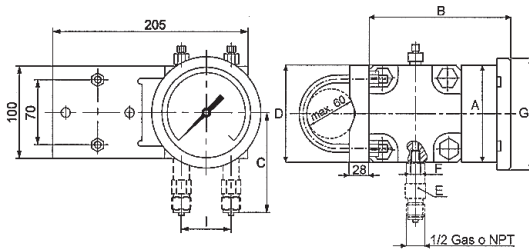


**Table DP 361-C**

Model	DN	A	B	C	D	E	F	G	H	I	L	M	N	Ø fori 120°	PESO ~ kg es. Dies. F
DP 361-C	100	103	150	117	110	22	1/4	118	7	54	126	140	27	5	49 52
	150	150	150	117	110	22	1/4	166	7	54	178	192	27	5	51 58

**Execution C**

Pressure gauge for back panel flush mounting with 3 fixing holes.



**Table DP 361-D**

Model	DN	A	B	C	D	E	F	G	H	I	L	M	N	Ø fori 120°	PESO ~ kg es. Dies. F
DP 361-D	100	103	150	117	110	22	1/4	118		54					54 57
	150	150	150	117	110	22	1/4	166		54					56 63

**Execution D**

Pressure gauge for 2" pipe mounting with AISI 304 st. st. support.

**note:** informations shown in this series may be changed at any time without prior notice.