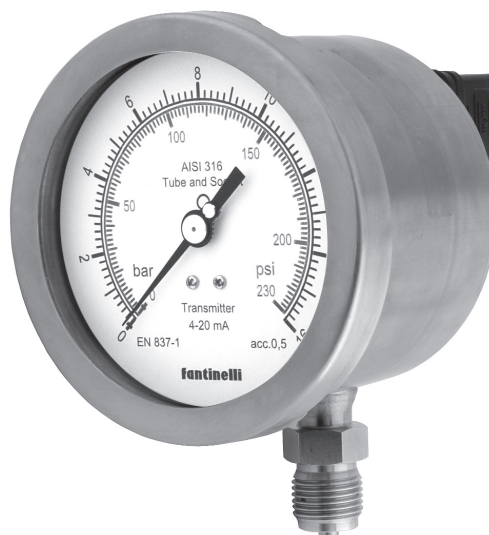




TR SERIES

Bourdon tube pressure gauges with integrated pressure transmitter 4 ÷ 20 mA

- ◆ all stainless steel pressure gauge:
 - NS 100 and 150 watertight casing in dry or liquid filled execution;
 - ranges included between -1 and 400 bar.
- ◆ transmitter with 4 ÷ 20 mA output.



PRESSURE GAUGE FEATURES

- **Application**
 - local mounting with bottom connection (standard);
 - surface or flush mounting (only on request).
- **Nominal sizes**
 - 100 and 150.
- **Casing**
 - case and ring in AISI 304 stainless steel with bayonet bezel.
- **Protection degree (according to EN 60529)**
 - IP 55 for dry execution;
 - IP 67 for liquid filled execution (on request - option V66).
- **Window**
 - glass (standard);
 - methacrylate for liquid filled execution;
 - laminated safety glass (on request - option V17).
- **Blow-out device**
 - EPDM rubber plug for dry execution and FPM (Viton) rubber plug for liquid filled execution.
- **Filling liquid**
 - silicone fluid.
- **Pressure connection (according to EN 837-1)**
 - G 1/2 B (1/2 Gas or BSP) or 1/2-14 NPT EXT (1/2 NPT) thread in AISI 316L stainless steel (others on request).
- **Pressure element**
 - AISI 316L stainless steel.
- **Welding**
 - TIG.
- **Movement**
 - stainless steel.
- **Ranges (according to EN 837-1)**
 - **Graduation:**
 - pressure gauges: 0 ÷ 1; 0 ÷ 2,5; 0 ÷ 4; 0 ÷ 6; 0 ÷ 10; 0 ÷ 16; 0 ÷ 25; 0 ÷ 40; 0 ÷ 100; 0 ÷ 160; 0 ÷ 250; 0 ÷ 400;
 - vacuum gauges : -1 ÷ 0; (division as per table C1 a pag. P04)
 - other graduations not normalised for single or double range (on request).
 - **Unit of pressure:**
 - bar, kPa and MPa for single or double range (others on request only).
 - **Scale angle:**
 - 270 °.
- **Over-pressure (occasionally allowed)**
 - 130% of full scale value.
- **Pointer**
 - aluminium with micrometr adjustment.
- **Dial**
 - white aluminium with black figures (for dial modifications see available options).
- **Accuracy (according to EN 837-1)**
 - class 0,5 (± 0,5% of full scale deflection) for dry execution;
 - class 1 (± 1% of full scale deflection) for liquid filled execution.
- **Ambient temperature**
 - -25 ÷ +60 °C.
- **Operating temperature**
 - -25 ÷ +125 °C.

TRANSMITTER FEATURES

- **Sensor**
 - thick film on ceramic for ranges -1 ÷ 40 bar;
 - thin film on AISI 630 stainless still for ranges 100 ÷ 400 bar.
- **Signal output**
 - 4 ÷ 20 mA.
- **Supply voltage**
 - 9 ÷ 30 V CC.



- **Electrical wiring**
junction box with grounding:
- cable-gland PG9.
- **Wetted parts**
- AISI 316L stainless steel
for ranges $-1 \div 40$ bar;
- AISI 304 stainless steel
for ranges $100 \div 400$ bar.
- **Zero and span adjustment**
- factory set to grant the gauge and transmitter calibration tuning.
- **Accuracy**
- $\pm 0,5\%$ of full scale deflection.
- **Over-pressure**
- conform to that of the gauge.

APPLICATIONS

- **Diaphragm seal (see FP series)**
in this case the instrument can be identified by the number of the chosen model, adding the reference of the suitable diaphragm seal among those of FP series.
(identification FP...)
- **Accessories (see AM series)**
- cooling siphons, recommended when process temperature is over $80\text{ }^{\circ}\text{C}$;
- valves;
- dampers for control of process fluid entry speed into the instrument;
- adjusting over-pressure protectors to cut automatically off the instrument from the circuit.

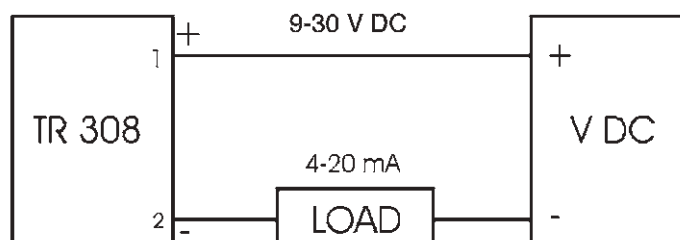
OPTIONS

- **Window**
different from standard:
- laminated safety glass
(identification V17)
- **Restrictor**
applicable to pressure connection to reduce the process fluid entry speed into the instrument.
(identification V26)
- **Process connection**
not standard.
(identification V42)
- **Pressure unit**
not standard.
(identification V49)
- **Changes to the dial**
- serial number;
(identification V50)
- specific dial;
(identification V51)
- red mark;
(identification V52)
- writings;
(identification V53)
- TAG number;
(identification V54)
- dial without logo;
(identification V56)
- double logo (Fantinelli + customer);
(identification V57)
- customer's logo. **(identification V58)**
- **Liquid filling**
silicone fluid filled casing.
(identification V66)
- **Metal tag plate**
AISI 316 stainless steel for tag number.
(identification V82)

DOCUMENTATION

- **Fantinelli calibration certificate**
rising pressure:
- class 0,5;
(identification V91)
- class 1.
(identification V92)
- **Complementary documents**
 - o certificate of compliance with the order EN 10204-2.2.
 - o technical documentation including:
 - drawings and technical informations;
 - installation and maintenance instructions.
 - o inspection and test certificate EN 10204 3.1.
 - o material certificates.
 - o PED declaration.

Wiring scheme





TECHNICAL INFORMATION

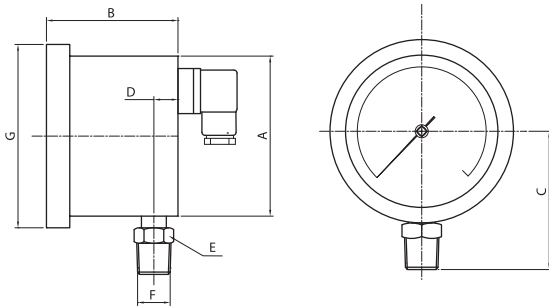


Table TR 308

DN	A	B	C	D	E	F	G	H	I	L	M	N	Ø fori 120°	PESO ~ kg es. D es. F
100	103	85	92	15,5	22	1/2	118							0,84 1,36
150	150	85	116	15,5	22	1/2	166							1,10 233

Pressure gauge with integrated pressure transmitter bottom connection for local mounting

note: informations shown in this series may be changed at any time without prior notice.